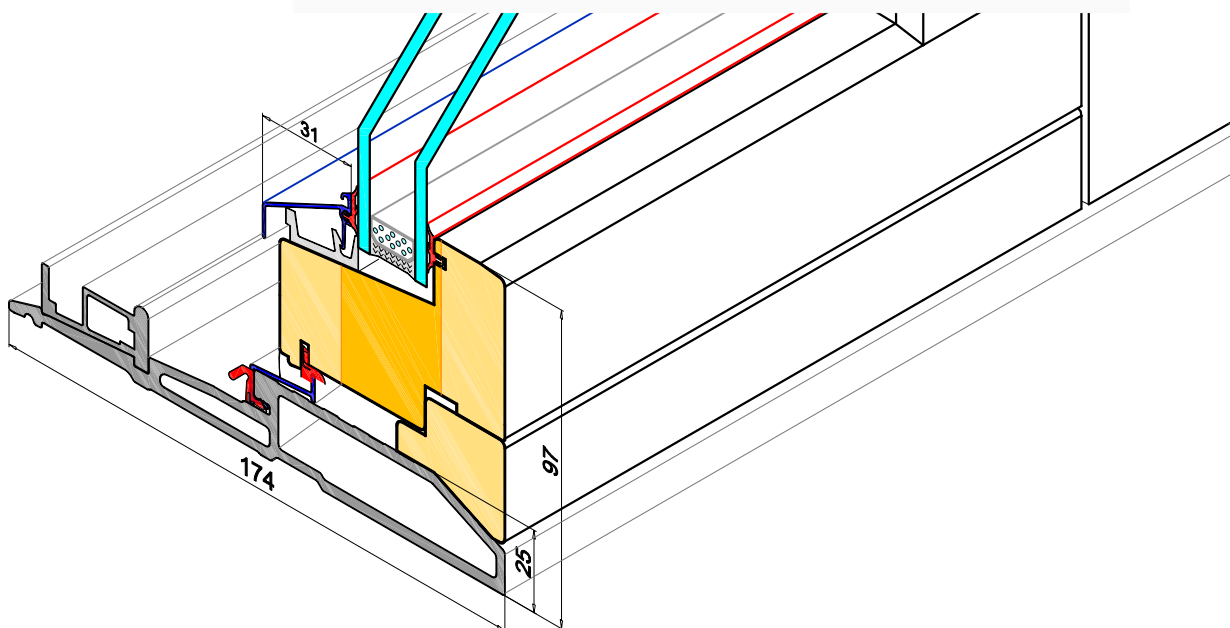
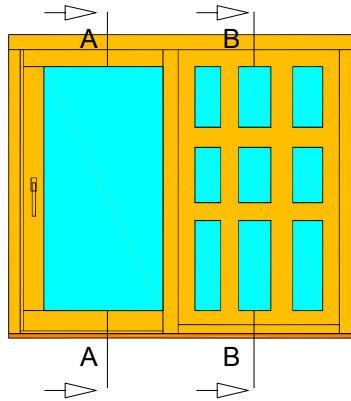


ECO LINE - Sliding door



	<i>technical issue</i>	<i>description</i>	<i>notes</i>
1	Construction	ECO LINE	
2	Material	<ul style="list-style-type: none"> - pine fingerjointed, - pine sorted (not fingerjointed), - oak, 	
3	Fittings options	<p style="text-align: center;">Opening scheme</p> <ul style="list-style-type: none"> - A - fixed + sliding sash, - G2 - outermost sashes fixed, middle sashes slide, - Fixed sash 	
4	Shapes	Rectangle only	
5	Size	<p>Overall height: 1749mm - 2588mm.</p> <p>total width:</p> <ul style="list-style-type: none"> - scheme A: max 4988mm, - scheme G2: max 6000mm, - scheme FIX: 400mm - :4000mm, <p>Note: total sash weight 250kg</p>	
6	Glass	<p>ECO LINE:</p> <ul style="list-style-type: none"> - glazing unit thickness 24mm lub 44mm. <p>ECO LINE ALU:</p> <ul style="list-style-type: none"> - glazing unit thickness 32mm lub 44mm. 	
7	TIMBER FINISH	Final painting with water-based opaque paints or stains	
8	COLOUR	<ul style="list-style-type: none"> - opaque: RAL 9016 (white), - Stain: Pine TM367, Afrozmoza TM4239, Mahogany TM1530, Palisander TM1705, Teak TM1703, Cyprys TM5207, Venge TM9012, Nut TM1515, Graphite TM1504, 	
9	GLAZING BARS	<ul style="list-style-type: none"> - construction (structural) bars 63mm, - vienna (glued-on) bars 12x24mm, - internal glazing bars (inside insulated glass unit), - removable bars: ECO LINE - (28mm,55mm), ECO LINE ALU - (30mm,65mm), 	
10	SILICONE	<ul style="list-style-type: none"> - transparent, 	

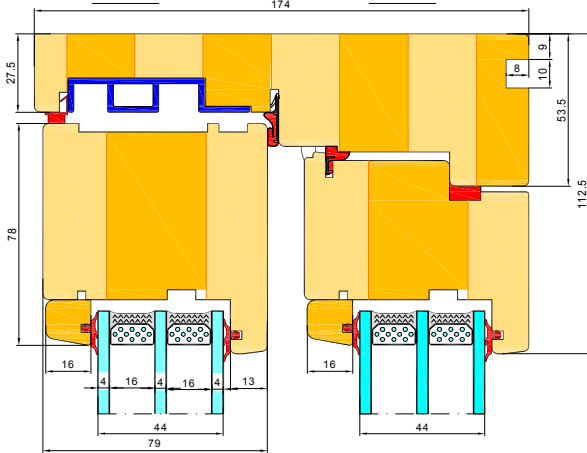
ECO LINE - Sliding door



ECO LINE _ glazing: 36mm, 44mm

A-A

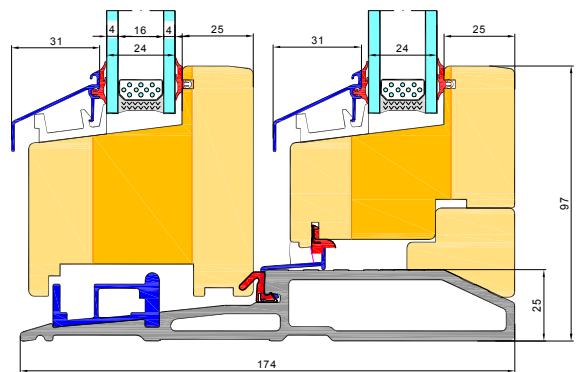
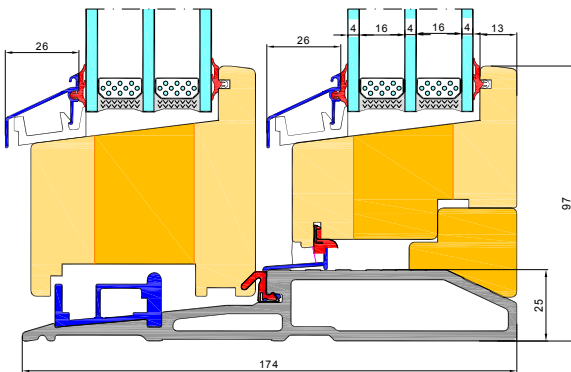
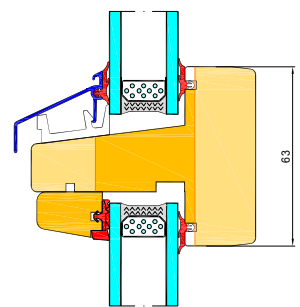
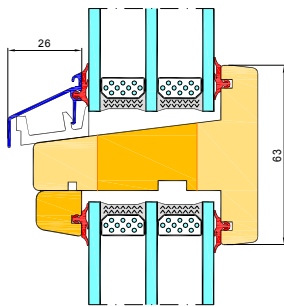
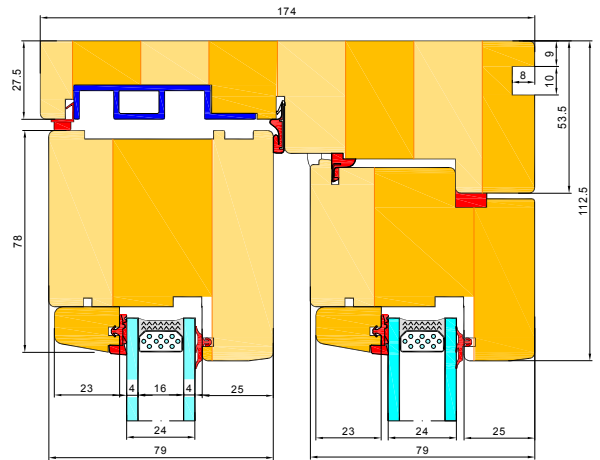
B-B

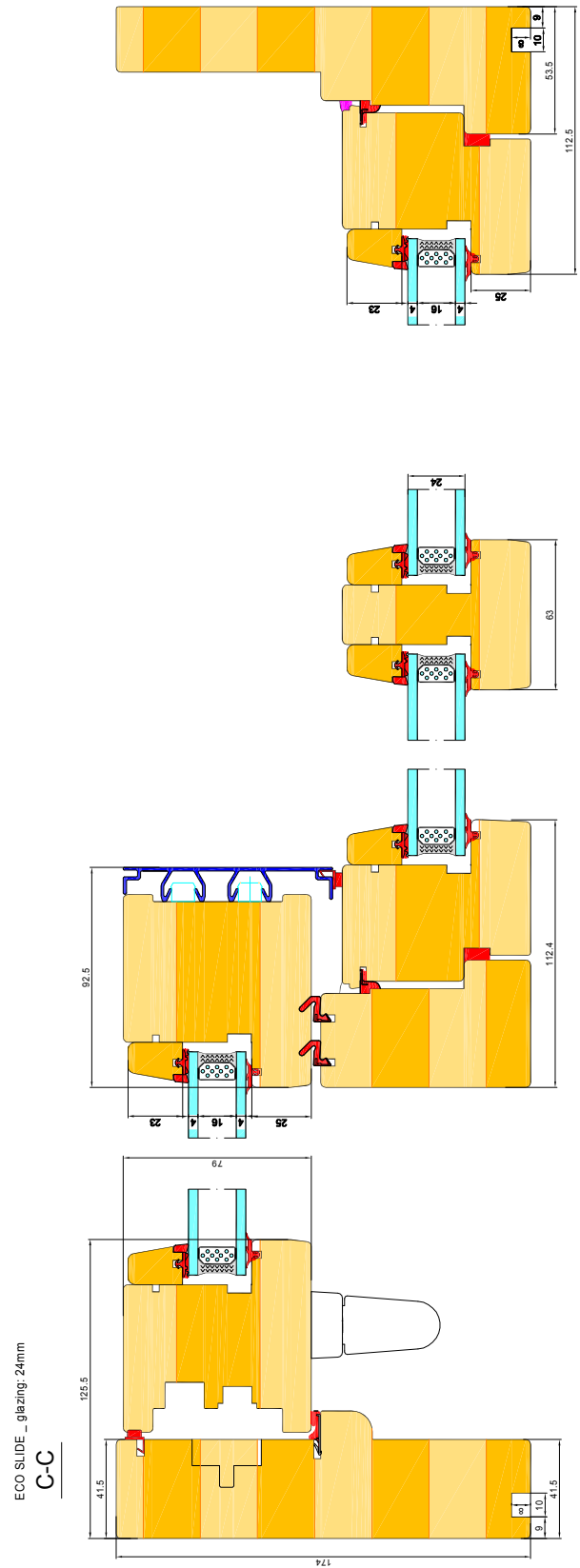
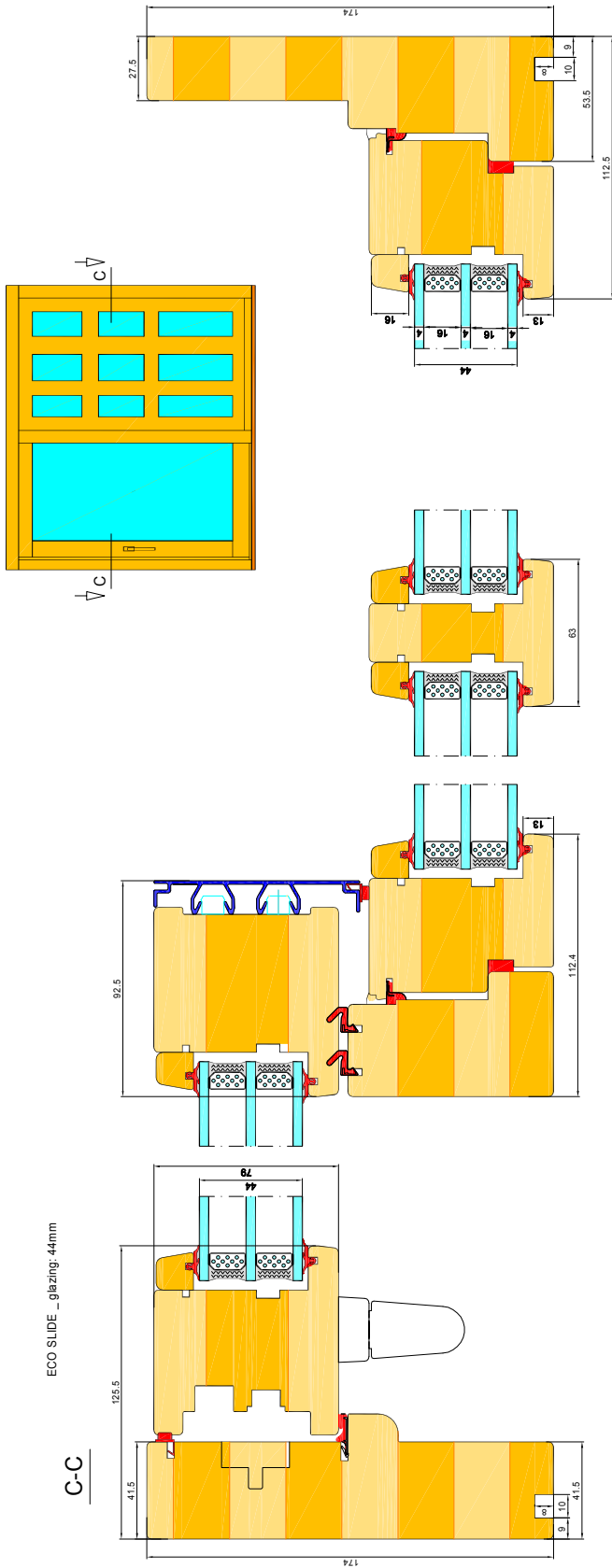


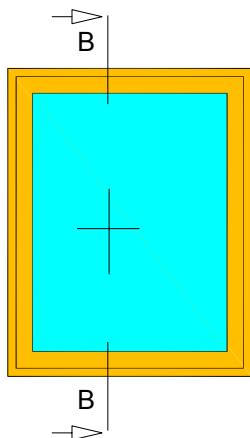
ECO LINE _ glazing: 24 mm

A-A

B-B

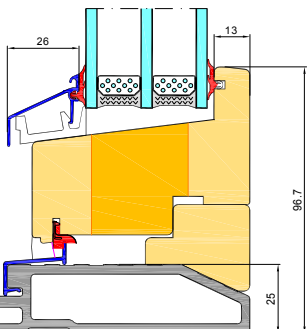
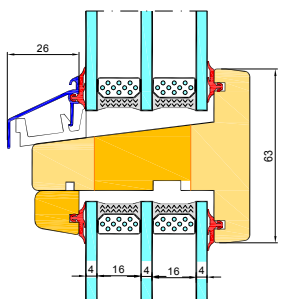
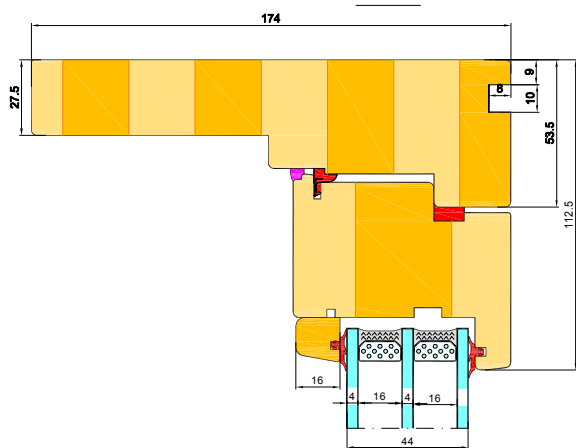






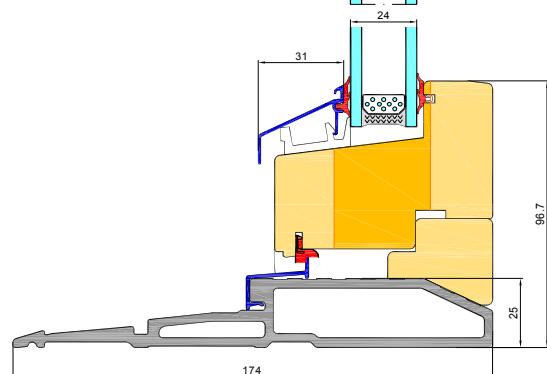
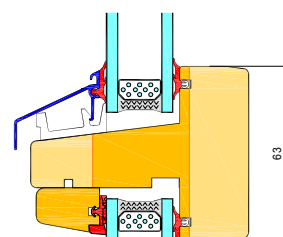
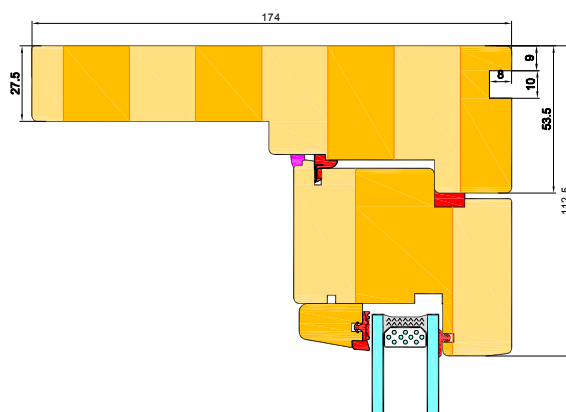
ECO SLIDE _ glazing: 36; 44mm

B-B

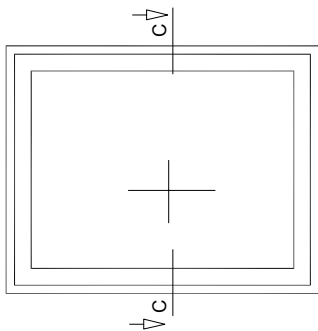


ECO SLIDE _ glazing: 24 mm

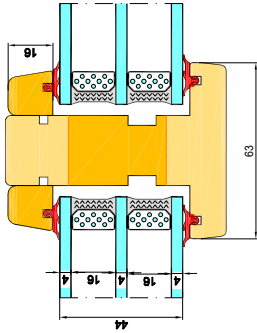
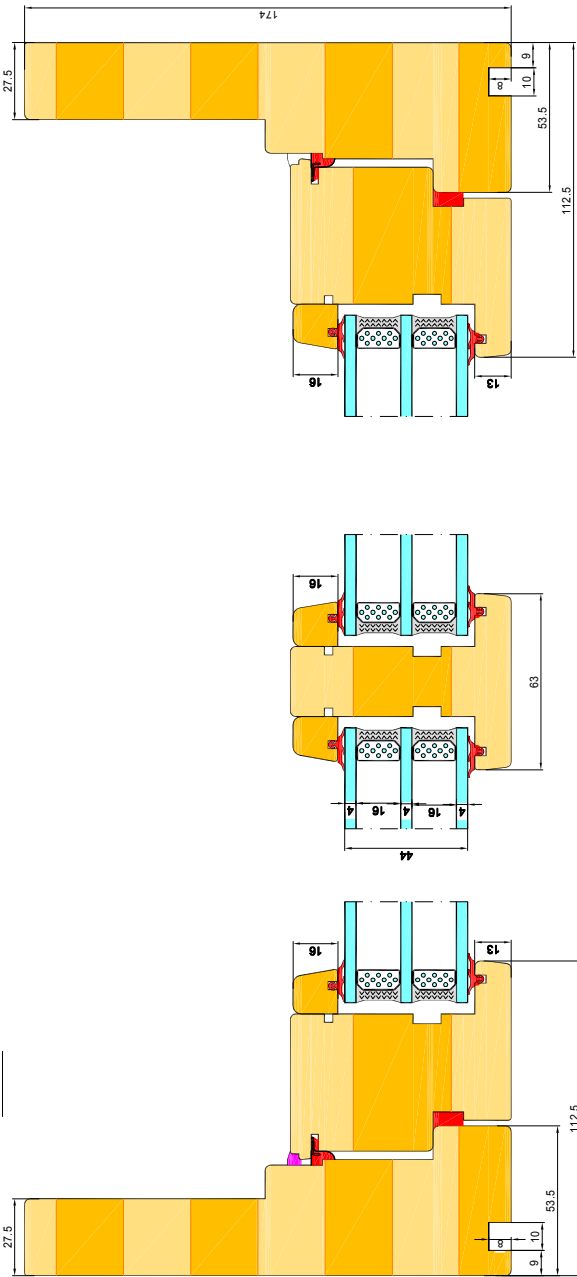
B-B



ECO LINE _ glazing: 44mm

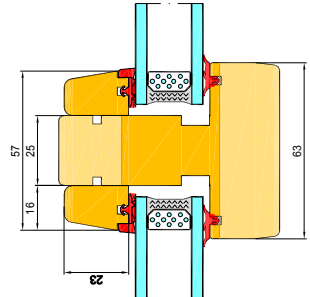
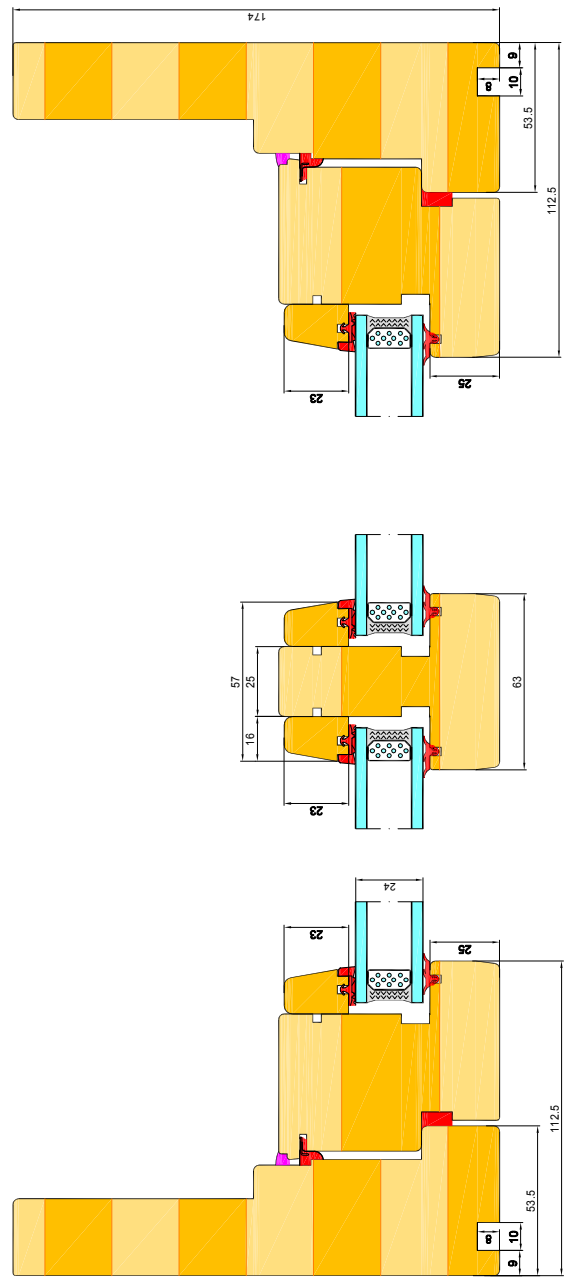


C-C

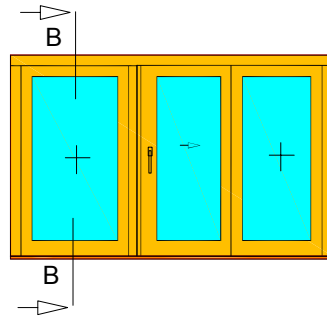


C-C

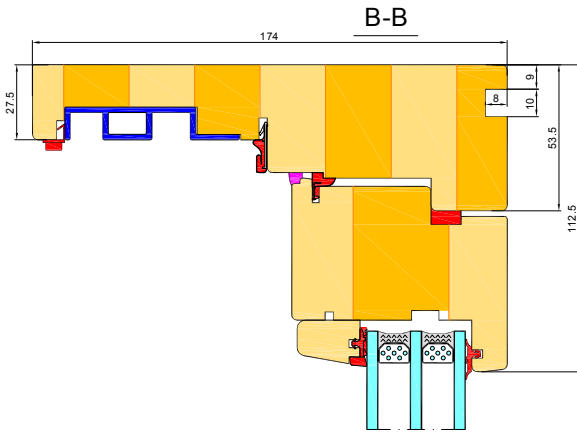
ECO SLIDE _ glazing: 24mm



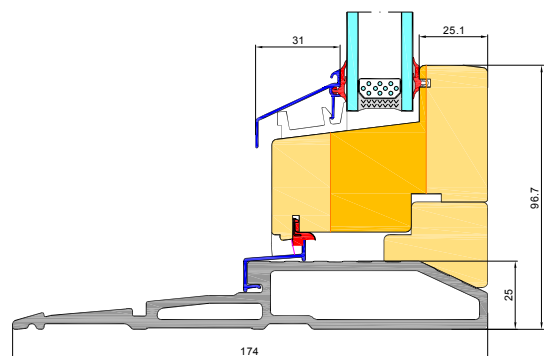
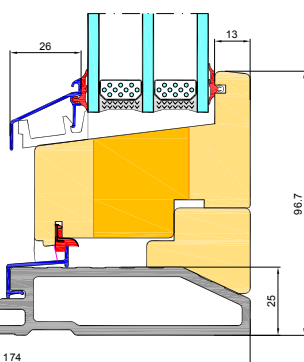
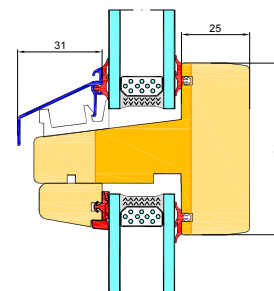
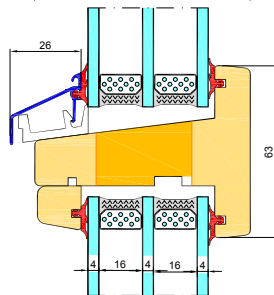
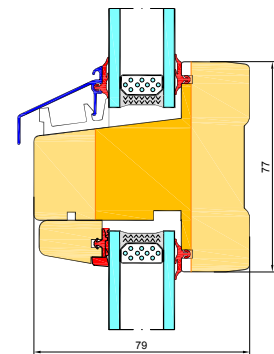
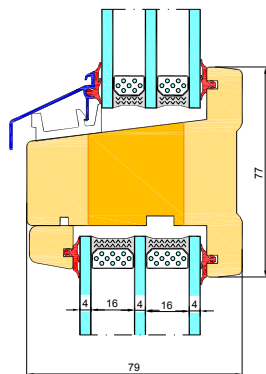
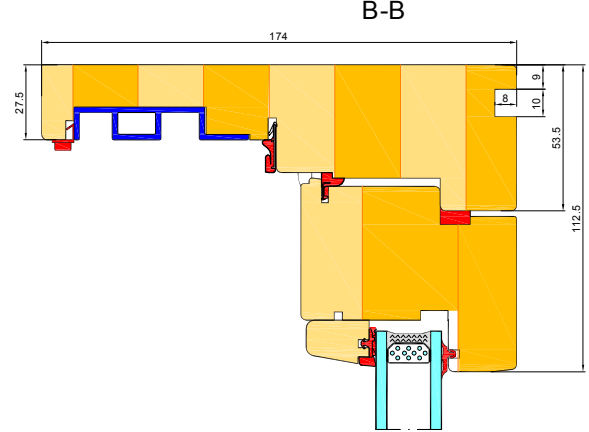
ECO LINE - Drzwi przesuwne.

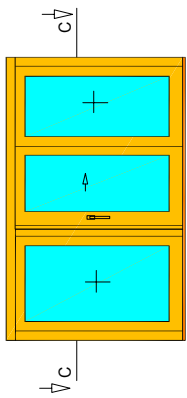


ECO LINE _ glazing: 36; 44mm



ECO LINE _ glazing: 24 mm

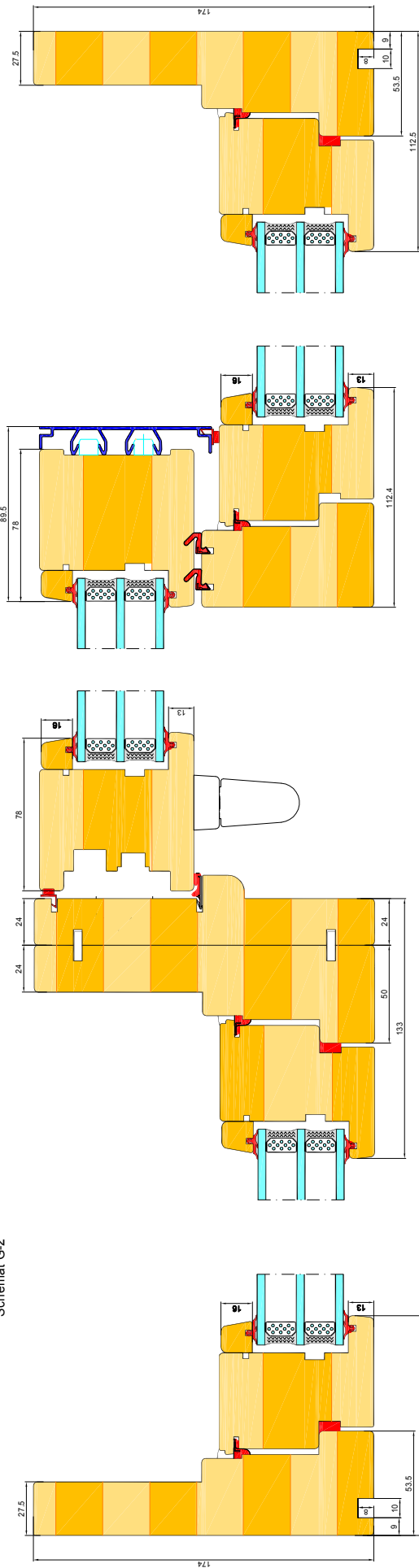




Schemat G-2

ECO LINE _ glazing: 44mm

C-C



ECO LINE _ glazing: 24mm

C-C

